



Sanivite®+

Ideal for kitchen, bath, outdoor BBQ kitchen or laundry. Sanivite®+ has up to four inlet connections making it the ideal solution for installing multiple plumbing fixtures.



TECHNICAL CHARACTERISTICS

Discharge Pipework	25 mm
Motor Power	400 Watts
Voltages	220-240 V/50 Hz
Working Waste Water Temp	35°C/Max 60°C (intermittent)
Product Weight	6.4 kg
Overall Measurements	367 x 277 x 189 mm
Inlet Pipework	40 mm
IP Rating	IP44

APPLICATIONS



HAND BASIN



BATH



KITCHEN SINK



WASHING MACHINE



DISH WASHER



WMTS 106:2019
Certificate No. 23048
Manufacturer: SFA
Brand: Saniflo

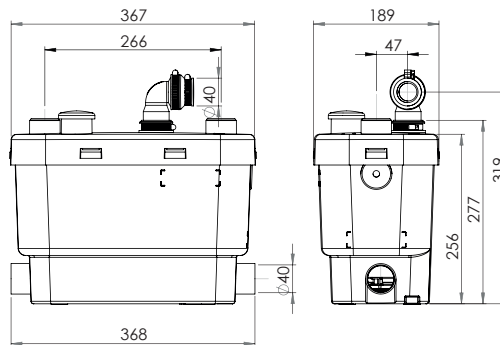
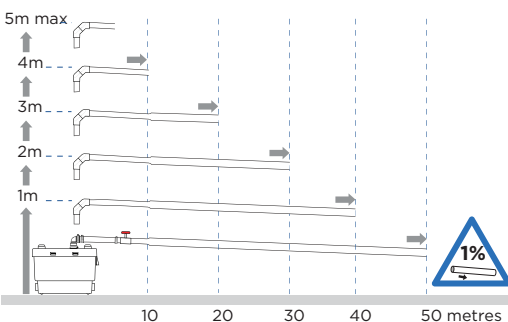
PRODUCT REFERENCE:
SA95

WHY CHOOSE THIS PRODUCT?

- Only for domestic application
- Powerful, quiet pump
- Low activation level (95 mm)
- Compact for concealed installation
- Carbon filter included to neutralise odours
- Working temperature of 35°C.
- Will handle up to 60°C for short periods (5 minutes)

VERTICAL/HORIZONTAL PERFORMANCE

Increase size of horizontal run by one pipe size after 5m. All horizontal pipework requires a minimum of 1:100 fall.



FLOW RATE PERFORMANCE CHART

Discharge height (m)

