



## Sanicom® 1

Sanicom 1 is a powerful lifting station for grey water in busy commercial environments. Suitable for multiple connections including a basin, bath, shower, sink, dishwasher and washing machine. The easy access service design makes it ideal for busy commercial kitchens and cafe's.

### APPLICATIONS



HAND BASIN



BATH



SHOWER



WASHING MACHINE



DISH WASHER



KITCHEN SINK



WMTS 106:2019  
Certificate No. 23048  
Manufacturer: SFA  
Brand: Saniflo

PRODUCT REFERENCE:  
SA102



### WHY CHOOSE THIS PRODUCT?

Ideal for commercial applications e.g. cleaning/catering sinks

Heavy duty, safe, reliable pump

Unit operates automatically

Two 50 mm side entries and air vent/connection to exterior

Working temperature of 35°C

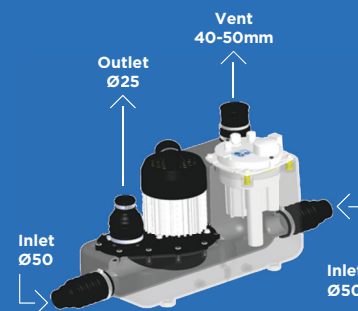
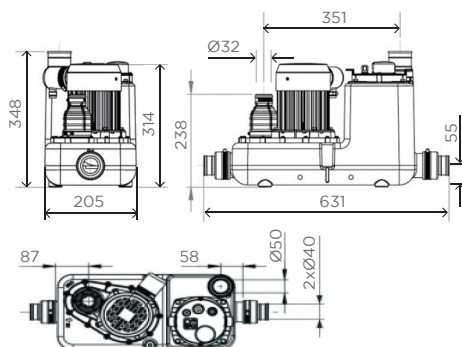
Will handle up to 90°C for short periods (5 minutes)

Factory pre-mounted non return valve (supplied)

Manual override with high level fault indicator

### TECHNICAL CHARACTERISTICS

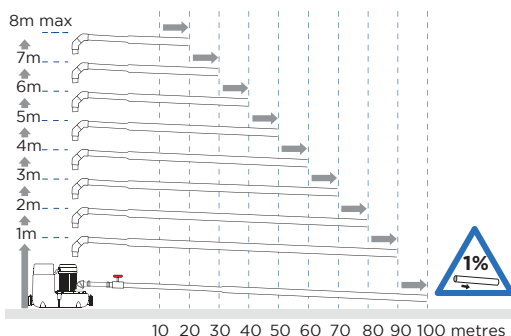
Discharge Pipework	25 mm
Motor Power	750 Watts
Voltages	220-240 V/50 Hz
Tank Volume	14 L
Working Waste Water Temp	35°C/Max 90°C (intermittent)
Product Weight	12 kg
Overall Measurements	631 x 348 x 205 mm
Inlet Pipework	50 - 65 mm
IP Rating	IP44



Optional remote wired alarm panel

### VERTICAL/HORIZONTAL PERFORMANCE

Increase size of horizontal run by one pipe size after 5m. All horizontal pipework requires a minimum of 1:100 fall.



### FLOW RATE PERFORMANCE CHART

